

FOS LED FOLLOW SPOT 1000

L007495



CE RoHS

User Manual

Please read this user manual before using this product!

Keep it for further reference!

INDEX

INTRODUCTION 01

II DESCRIPTION OF THE DEVICE 02

III INSTALLATION..... 04

IV OPERATION 07

V APPENDIX.....10

Please keep this manual as a reference.

Thanks again for your business. We truly appreciate it!

Thank you for using our product! Please read this manual carefully and completely. For technical reference in future, please keep this user manual well. This user manual contains all installation and operation information of this LED Follow Light, it's very useful for user to install and operate the light. Please strictly abide by the relevant instruction for the installation and operation.

This light has very beautiful appearance. This is a professional LED Follow Light. It uses high power LED integrated lamp (COB lamp) as the light emitting element. So the light has high light efficiency, good color effect, low glare value, long lifespan, energy conservation, environmental protection and other advantages. The light has high brightness, uniform light, which is very suitable for stage, TV station, and other performance places. Using DMX signal to realize the linear dimmer, more convenience. This light is saving energy and protecting environment, pure color temperature, it is a very suitable substitute of the traditional 750 profile light.

This light meets the following criteria:

GB7000.1-2007 /IEC60598-1:2003

GB7000.217-2008/IEC60598-2-17:1984+A2:1990

I INTRODUCTION

Thank you for having chosen our 600w led follow light. You will see you have acquired a powerful and versatile device.

Unpack your led 600w follow light

Delivery includes.

Mounting holder 1pc

V APPENDIX

Problem and solution

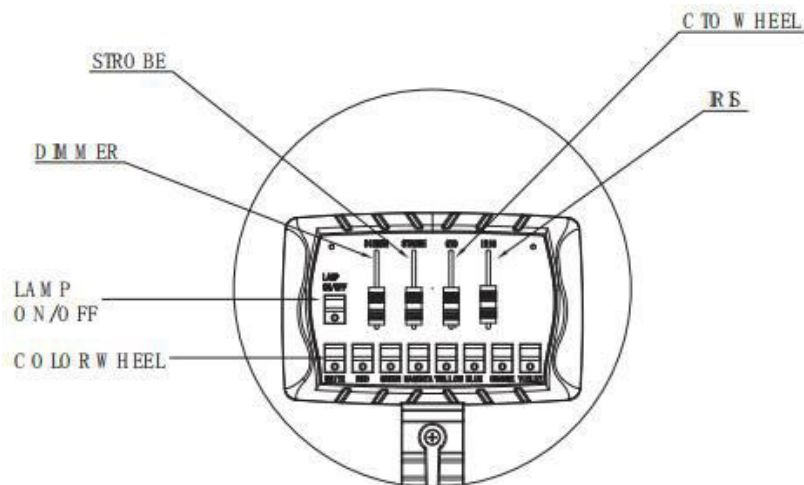
Problem	Reason	Resolution
Device does not work	No power	AC100-240V, 50/60Hz Check the power connection, and make sure device connect the mains in well condition. Check if the switch is on. Check if the fuse is good.
LED Bulb is off	LED bulb damaged	Replacing LED bulb
	LED drive board damaged	Replacing LED drive board
	Temperature switches damaged	Replacing temperature switch
Fans do not work	Fans damaged	Replacing fans

Caution

- Unqualified person involved with installation, operation and maintenance of this device is prohibited.
- If any above-mentioned problem happened, or unknown problem happened, please contact manufacturer or distributor for assistance.

CH4	102--118	Rose Red
	119--135	Rose Red +Yellow
	136--152	Yellow
	153--169	Yellow+Blue
	170--186	Blue
	187--203	Blue+Orange
	204--220	Orange
	221--237	Orange+Purple
	238--255	Purple
CH5	000--255	Iris
CH6	000--255	Solter

1. Description of the Keys



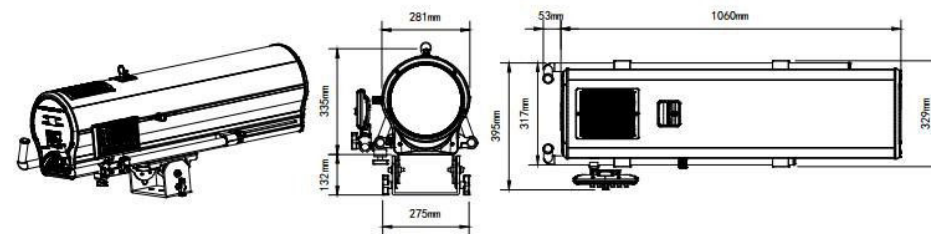
- Power cable lpc
- User manual lpc

II DESCRIPTION OF THE DEVICE

1. Profile

With the idea of energy saving and environment protection, the device use lower power loss and extremely high efficiency led. The device housing cover is made of used the new high strength heat resistance engineering plastics, with beautiful shape and smooth lines. The designing and manufacturing is in compliance with IEC standard. The device is suitable in the large-scale theatrical performance, the theater, the performance hall, the bar night club and so on.

2. Overview



3. Specification

- Lamp: 1000W high brightness LED module
- Color temperature:7500K
- Lifetime of led, more than 50000hours
- Luminous flux: 59000lm-62000lm
- Power supply: AC100V-240V, 50Hz/60Hz
- Power consumption: 1280 W

Color wheel 7 colors + open white

CTO wheel: 3200 K, 4500 k, 5600 K

Focus and zoom: Manual

Adjustable beam angel:3.5° -7°

Dimmer:0-100% linear dimmer

Channel mode:6 channels.

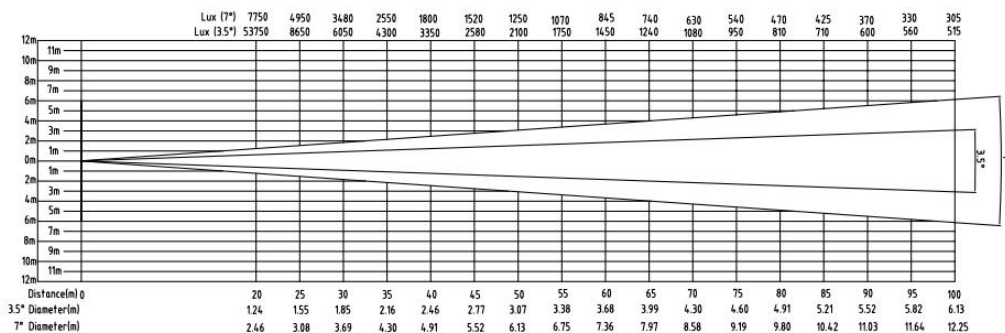
Strobe 1-20 flash per second.

Use environment temperature: -20°C-45°C

Control mode: international standard DMX512 signal, with XLR 3PIN connectors.

N.W.:32.6 kgs

4. Photographic chart



5. Safety warning

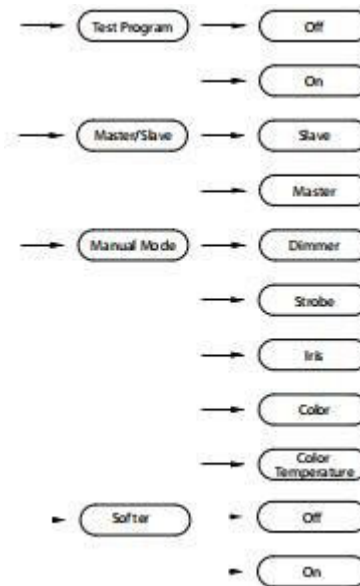
1). Warning:

Every person involved with the installation, operation and maintenance of this device must be qualified.

User must follow the instructions of this manual.

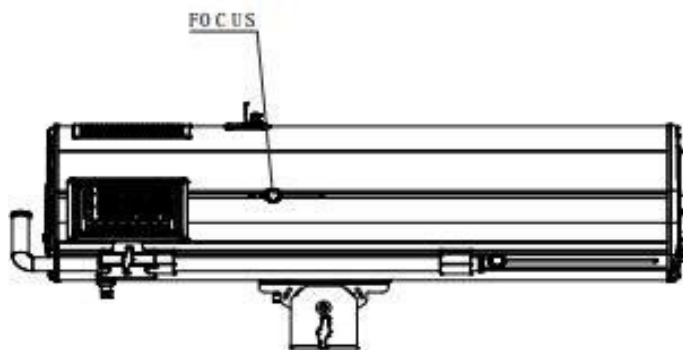
Unqualified person cannot open the housing cover and operate the device, or the dealer will not accept liability for any result defects or problems.

The device against rain and moisture



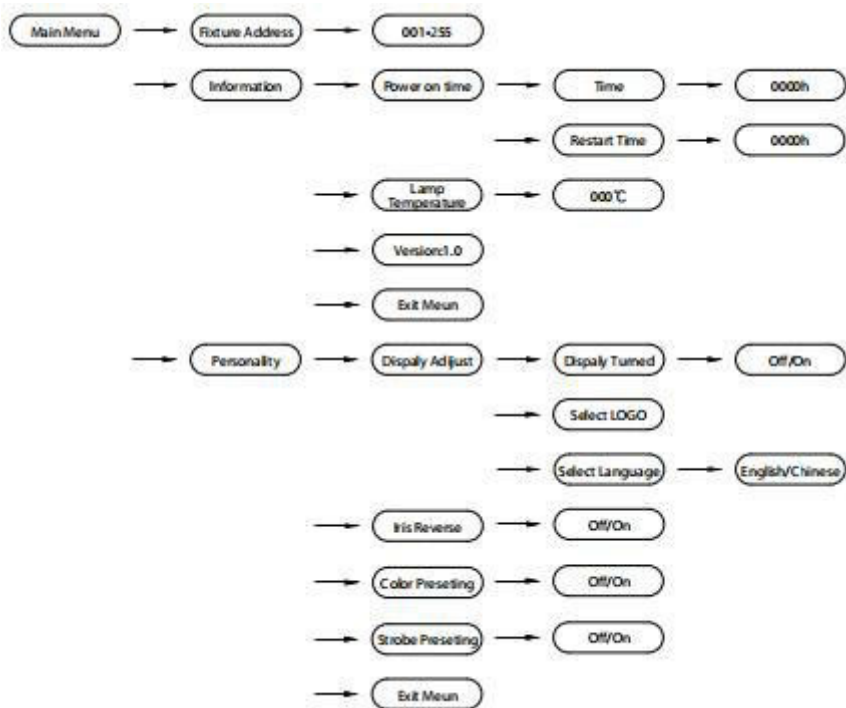
2. DMX channel Layout

DMXCH	DMXValue	Function
CH1	000--255	Dimmer
CH2	000--255	Strobe
CH3	000--063	Cold White
	064--127	5600K
	128--191	4500K
CH4	192--255	3200K
	000--016	White
	017--033	White+Ren
	034--050	Red
	051--067	Red+Green
	068--084	Green
	085--101	Green+Rose Red



IV OPERATION

3. Menu



2). Warning note

- Power Supply AC100v-240v,50HZ/60HZ.
- Make sure the power switch is off, the power plug, outlet and the earth connection is in well condition before connecting the device with the mains;
- Please use qualified power plug and outlet. Never connect the power cord of this device with other electrical equipment.
- During move and installation. make sure the device not crashed with metal parts and other materials.
- Always disconnect from the mains, when the device is on installation and dismantled.
- The minimum distance between light-output and the illuminated surface must be more than 50cm.
- The device must only be installed on a non-flammable surface. In order to safeguard sufficient ventilation, leave 50 cm of free space around the device. Please note that heat-sensitive objects may be deformed or damaged by the emitted heat.
- During the operation the housing becomes very hot! Do not operate the device for 15 minutes after switching off.
- The maximum ambient temperature $T_a-45^{\circ}\text{C}$ must never be exceeded. The maximum housing temperature $T_b-60^{\circ}\text{C}$ must never be exceeded.
- For indoors use.
- Replace any visible cracked protective shield, filter and lens.
- The protective shield, filters and lens will require weekly cleaning as smoke "fluid tends to build up to residues, reducing the light" Can put very quickly.

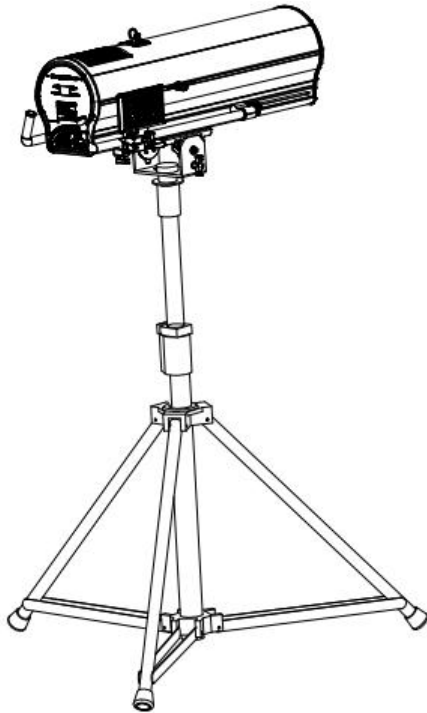
III INSTALLATION

1. Installation

When installation, keep the device far away the heat sensitive objects and explosives sensitive objects, leave at least 50cm of free space around the device.

When install devices, please first fix the mounting holder on the device, as shown in the figure:

Then put the device on the stand, make sure that the stand must be placed on the ground smoothly, and tighten all the fasteners.



Please use qualified use qualified stand, and make sure the stand can withstand more than ten times the weight of device.

2. Connection with mains

The person involved with the power connection must be qualified and has the electrical engineering certificate.

Connect the device to the mains with the power plug.

The earth must be connected.

Power consumption 1280 W, input power supply AC100V-240V, 50/60Hz.

3. Replacing fuse

Before replacing the fuse, unplug mains lead.

Procedure:

Step 1: Unscrew the fuse holder on the rear panel with a fitting screwdriver from the housing (anti-clockwise).

Step 2: Remove the old fuse in the fuse holder.

Step 3: Install the new fuse in the fuse holder.

Step 4: Replace the fuse holder in the housing and fix it.

4. Focus and Zoom

The objective lens cylinder is usually shrunk before leaving factory after connecting the projector to the mains, user may lose the screws and pull out the lens cylinder, till the white light output circular is clearly presented, locking tightly the two screws again.

When the projection distance is changed, user can follow previous operating steps and focus the projector.